



29 дэх удаагийн Логик Паззлын Дэлхийн Аварга
Шалгаруулах Тэмцээнд (WSPC) оролцох үндсэн
багийн сонгон шалгаруулалт



Бэлтгэл №2 (Хариу)

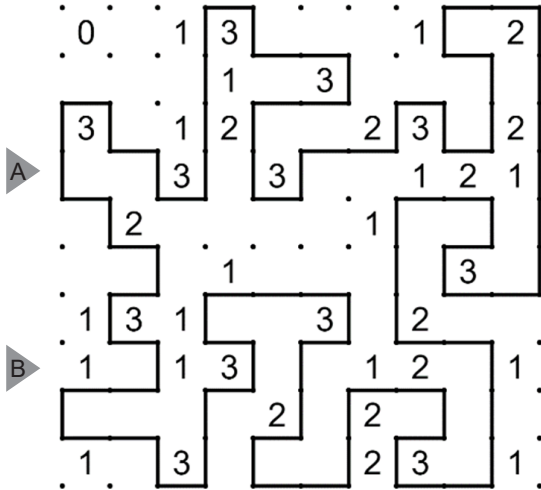
2022/06/03

C-1. Слидерлинк

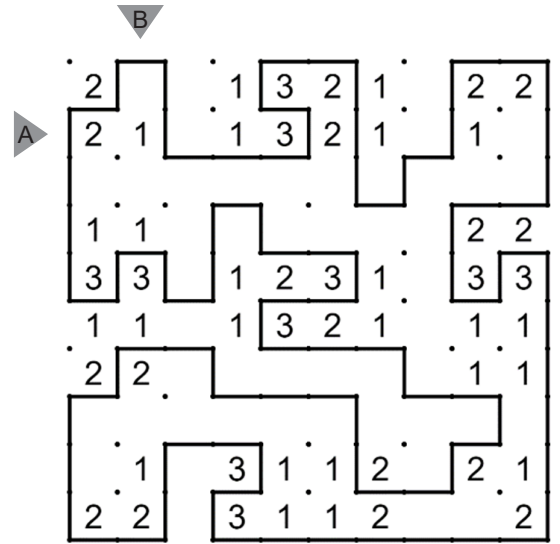
3 оноо

C-2. Слидерлинк

5 оноо



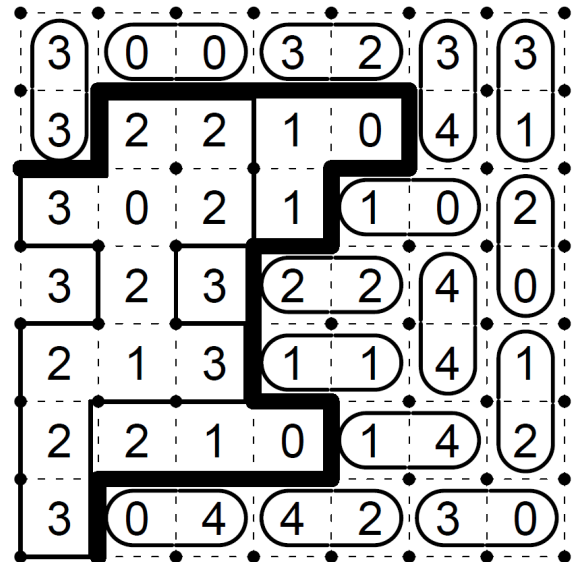
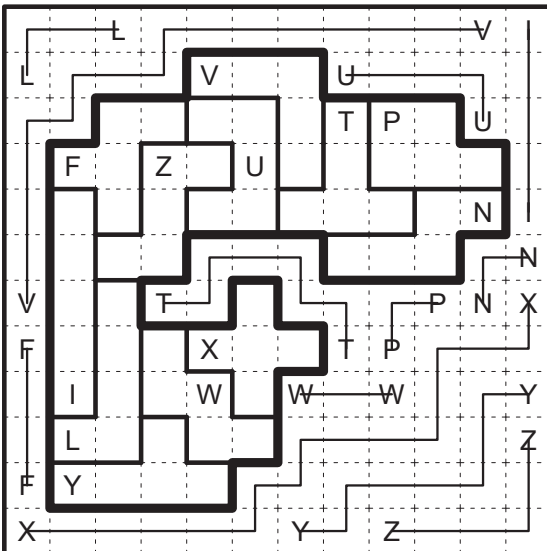
AB: (215, 24)



AB: (212, 44)

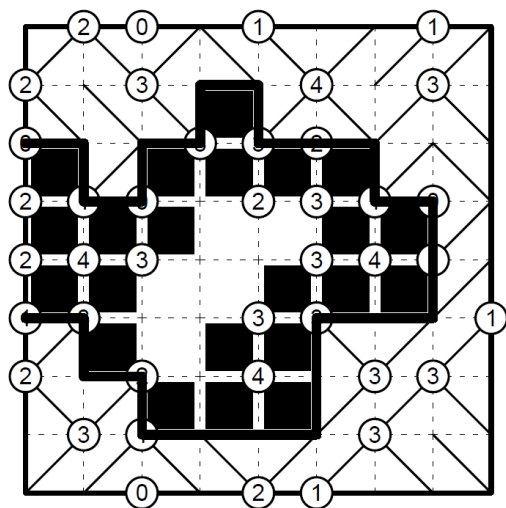
R3-1. Аруконэ + Пентоминонууд 3 оноо

R3-2. Даалуу + Слидерлинк 6 оноо

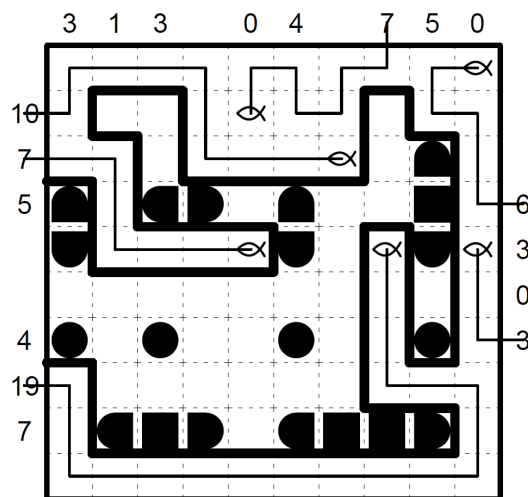


R3-3. Горхи + Налуу

6.5 оноо



R3-4. Загасчид + Байлдааны хөлгүүд 8 оноо



R4-1. Тойрог зам 25 оноо

		<table border="1" style="border-collapse: collapse; text-align: center;"><tr><td>1</td><td>2</td><td>1</td><td>3</td><td>5</td><td>4</td><td>2</td><td>6</td></tr><tr><td>1</td><td>2</td><td>4</td><td>6</td><td>2</td><td>3</td><td>5</td><td>1</td></tr><tr><td>1</td><td>3</td><td>2</td><td>5</td><td>1</td><td>6</td><td>3</td><td>4</td></tr><tr><td>1</td><td>3</td><td>5</td><td>2</td><td>4</td><td>1</td><td>6</td><td>3</td></tr><tr><td>2</td><td>6</td><td>4</td><td>3</td><td>5</td><td>1</td><td>2</td><td>3</td></tr><tr><td>1</td><td>2</td><td>3</td><td>1</td><td>6</td><td>2</td><td>4</td><td>5</td></tr></table>	1	2	1	3	5	4	2	6	1	2	4	6	2	3	5	1	1	3	2	5	1	6	3	4	1	3	5	2	4	1	6	3	2	6	4	3	5	1	2	3	1	2	3	1	6	2	4	5		<table border="1" style="border-collapse: collapse; text-align: center;"><tr><td>1</td><td>2</td><td>1</td><td>3</td><td>5</td><td>4</td><td>2</td><td>6</td></tr><tr><td>1</td><td>2</td><td>4</td><td>6</td><td>2</td><td>3</td><td>5</td><td>1</td></tr><tr><td>1</td><td>3</td><td>2</td><td>5</td><td>1</td><td>6</td><td>3</td><td>4</td></tr><tr><td>1</td><td>3</td><td>5</td><td>2</td><td>4</td><td>1</td><td>6</td><td>3</td></tr><tr><td>2</td><td>6</td><td>4</td><td>3</td><td>5</td><td>1</td><td>2</td><td>3</td></tr><tr><td>1</td><td>2</td><td>3</td><td>1</td><td>6</td><td>2</td><td>4</td><td>5</td></tr></table>	1	2	1	3	5	4	2	6	1	2	4	6	2	3	5	1	1	3	2	5	1	6	3	4	1	3	5	2	4	1	6	3	2	6	4	3	5	1	2	3	1	2	3	1	6	2	4	5		<table border="1" style="border-collapse: collapse; text-align: center;"><tr><td>2</td><td>0</td><td>1</td><td>2</td><td>0</td><td>2</td></tr><tr><td>0</td><td>1</td><td>0</td><td>1</td><td>0</td><td>1</td></tr></table>	2	0	1	2	0	2	0	1	0	1	0	1		<table border="1" style="border-collapse: collapse; text-align: center;"><tr><td>3</td><td>3</td><td>3</td><td>3</td><td>3</td></tr><tr><td>3</td><td>3</td><td>1</td><td>1</td><td>1</td></tr></table>	3	3	3	3	3	3	3	1	1	1
1	2	1	3	5	4	2	6																																																																																																																							
1	2	4	6	2	3	5	1																																																																																																																							
1	3	2	5	1	6	3	4																																																																																																																							
1	3	5	2	4	1	6	3																																																																																																																							
2	6	4	3	5	1	2	3																																																																																																																							
1	2	3	1	6	2	4	5																																																																																																																							
1	2	1	3	5	4	2	6																																																																																																																							
1	2	4	6	2	3	5	1																																																																																																																							
1	3	2	5	1	6	3	4																																																																																																																							
1	3	5	2	4	1	6	3																																																																																																																							
2	6	4	3	5	1	2	3																																																																																																																							
1	2	3	1	6	2	4	5																																																																																																																							
2	0	1	2	0	2																																																																																																																									
0	1	0	1	0	1																																																																																																																									
3	3	3	3	3																																																																																																																										
3	3	1	1	1																																																																																																																										
<table border="1" style="border-collapse: collapse; text-align: center;"><tr><td>2</td><td>4</td><td>3</td><td>1</td></tr><tr><td>1</td><td>4</td><td>2</td><td>3</td></tr><tr><td>4</td><td>3</td><td>1</td><td>2</td></tr><tr><td>2</td><td>3</td><td>4</td><td>1</td></tr><tr><td>1</td><td>2</td><td>4</td><td>3</td></tr><tr><td>3</td><td>1</td><td>2</td><td>4</td></tr></table>	2	4	3	1	1	4	2	3	4	3	1	2	2	3	4	1	1	2	4	3	3	1	2	4		<table border="1" style="border-collapse: collapse; text-align: center;"><tr><td>3</td><td>1</td><td>1</td><td>3</td><td>2</td><td>3</td></tr><tr><td>1</td><td>4</td><td>2</td><td>1</td><td>1</td><td>2</td></tr><tr><td>1</td><td>4</td><td>2</td><td>1</td><td>1</td><td>2</td></tr></table>	3	1	1	3	2	3	1	4	2	1	1	2	1	4	2	1	1	2	4																																																																																	
2	4	3	1																																																																																																																											
1	4	2	3																																																																																																																											
4	3	1	2																																																																																																																											
2	3	4	1																																																																																																																											
1	2	4	3																																																																																																																											
3	1	2	4																																																																																																																											
3	1	1	3	2	3																																																																																																																									
1	4	2	1	1	2																																																																																																																									
1	4	2	1	1	2																																																																																																																									
<table border="1" style="border-collapse: collapse; text-align: center;"><tr><td>0</td><td>4</td><td>0</td><td>1</td><td>0</td><td>3</td></tr><tr><td>6</td><td>4</td><td>4</td><td>4</td><td>2</td><td>3</td></tr></table>	0	4	0	1	0	3	6	4	4	4	2	3		<table border="1" style="border-collapse: collapse; text-align: center;"><tr><td>3</td><td>1</td><td>1</td><td>3</td><td>2</td><td>3</td></tr><tr><td>2</td><td>1</td><td>0</td><td>3</td><td>1</td><td>3</td></tr></table>	3	1	1	3	2	3	2	1	0	3	1	3	4																																																																																																			
0	4	0	1	0	3																																																																																																																									
6	4	4	4	2	3																																																																																																																									
3	1	1	3	2	3																																																																																																																									
2	1	0	3	1	3																																																																																																																									
<table border="1" style="border-collapse: collapse; text-align: center;"><tr><td>2</td><td>2</td><td>4</td><td>1</td><td>3</td><td>2</td></tr><tr><td>1</td><td>1</td><td>1</td><td>1</td><td>2</td><td>4</td></tr><tr><td>0</td><td>3</td><td>5</td><td>0</td><td>1</td><td>5</td></tr><tr><td>3</td><td>3</td><td>5</td><td>1</td><td>5</td><td>1</td></tr></table>	2	2	4	1	3	2	1	1	1	1	2	4	0	3	5	0	1	5	3	3	5	1	5	1		<table border="1" style="border-collapse: collapse; text-align: center;"><tr><td>1</td><td>1</td><td>1</td><td>1</td><td>1</td><td>1</td></tr><tr><td>2</td><td>2</td><td>2</td><td>2</td><td>2</td><td>2</td></tr><tr><td>4</td><td>4</td><td>4</td><td>4</td><td>4</td><td>4</td></tr><tr><td>5</td><td>5</td><td>5</td><td>5</td><td>5</td><td>5</td></tr></table>	1	1	1	1	1	1	2	2	2	2	2	2	4	4	4	4	4	4	5	5	5	5	5	5	2																																																																											
2	2	4	1	3	2																																																																																																																									
1	1	1	1	2	4																																																																																																																									
0	3	5	0	1	5																																																																																																																									
3	3	5	1	5	1																																																																																																																									
1	1	1	1	1	1																																																																																																																									
2	2	2	2	2	2																																																																																																																									
4	4	4	4	4	4																																																																																																																									
5	5	5	5	5	5																																																																																																																									